

Plug Valves

SPV130 Series

Features

- Pressure Rating up to 3000psig (206 bar) @100°F(37°C)
- Temperature Range -10°F to 400°F (-23°C to 204°C)
- Suitable for throttling
- Simple design with one piece body
- 316 stainless steel body materials
- Panel mountable
- Variety of end connections available
- Straight through flow path
- Replaceable plug assembly
- Easy to clean and maintain



Testing

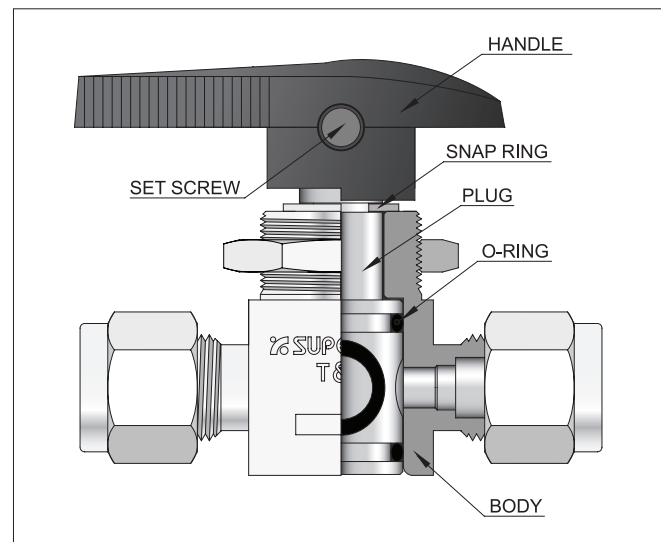
Every plug valve is factory tested for shutoff at 600 psig (41.3bar)

Technical Data

Material of Construction

Component	Material Grade
Body	SS316
Plug	PTFE-coated SS316
O-rings	VITON
Handle	Aluminum
Set Screw	Stainless Steel
Snap Ring	Stainless Steel

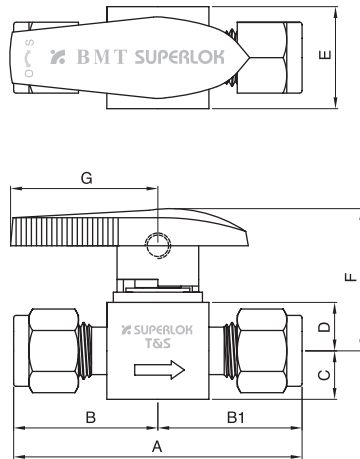
* Differential pressure is limited to 150 psig maximum if reverse flow occurs
Reverse-flow throttling may be damage o-ring



Pressure-Temperature Rating

Series	SPV131,SPV132	SPV131	SPV132
Material	316SS	Brass	
Temperature, °F(°C)	Working Pressure, psig (bar)		
-10 (-23) to 100 (37)	3000 (206)	3000 (206)	2000 (137)
150 (65)	3000 (206)	2500 (172)	2000 (137)
200 (93)	3000 (206)	2000 (137)	2000 (137)
250 (121)	2000 (137)	1500 (103)	1500 (103)
300 (148)	1000 (68.9)	1000 (68.9)	1000 (68.9)
350 (176)	1000 (68.9)	1000 (68.9)	1000 (68.9)
400 (204)	1000 (68.9)	400 (27.5)	400 (27.5)

Standard Style



Panel Mounting Style

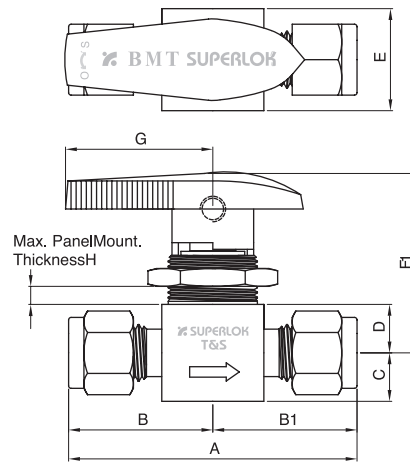


Table of Dimensions

Part Number	Orifice	CV	End Connection		Dimensions										
			Inlet	Outlet	A	B	B1	C	D	E	F	F1	G	H	
SPV131	F2N	4.4	1.2	1/8" Female NPT		45.2	22.6	22.6	9.5	9.5	20.0	27.9	35.5	28.9	6.4
	F4N		0.9	1/4" Female NPT		53.1	26.6	26.6							
	M4N-F4N		0.9	1/4" Male NPT	1/4" Female NPT	50.8	24.2	26.6							
	M2N		1.0	1/8" Male NPT		39.0	19.5	19.5							
	M4N		1.0	1/4" Male NPT		48.4	24.2	24.2							
	M4N-S4		0.9	1/4" Male NPT	1/4" SUPERLOK	51.2	24.2	27.6							
	S2		2.3	0.1	1/8" SUPERLOK		50.5	25.3							
SPV132	S4	7.2	1.6	1/4" SUPERLOK		55.1	27.6	27.6	14.0	14.0	30.0	41.6	53.2	51.7	9.4
	S6M		1.6	6mm SUPERLOK		55.1	27.6	27.6							
	F4N		4.3	1/4" Female NPT		60.5	30.3	30.3							
	F8N		2.7	1/2" Female NPT		73.2	36.6	36.6							
	M8N		2.4	1/2" Male NPT		67.1	33.5	33.5							
	S8M		6.4	8mm SUPERLOK		67.6	33.8	33.8							
	S10M		6.4	10mm SUPERLOK		68.1	34.1	34.1							
	S12M		4.8	12mm SUPERLOK		75.2	37.6	37.6							
	S6		6.4	3/8" SUPERLOK		67.6	33.8	33.8							
	S8		4.4	1/2" SUPERLOK		73.2	36.6	36.6							

- Dimensions shown with SUPERLOK ends are measured with nuts in the finger tight position.
- All dimensions in millimeters unless specified as "inch". Dimension are for reference only, subject to change.
- Ordering numbers that list F1, H dimensions are available in panel mounting style.
- To order, add-P to the series number. Example : SPV131P-S-4

Ordering Information

Example: **SPV131 - S 4 - SS**

1
2 3
4

- 1 : Valve Series (Add - P : Panel Mounting Style) - SPV131(P), - SPV132(P) 2 : End Connection Designator
 3 : Connection Size 4 : Material Designator - SS (BLANK) : 316 Stainless Steel, - B : Brass